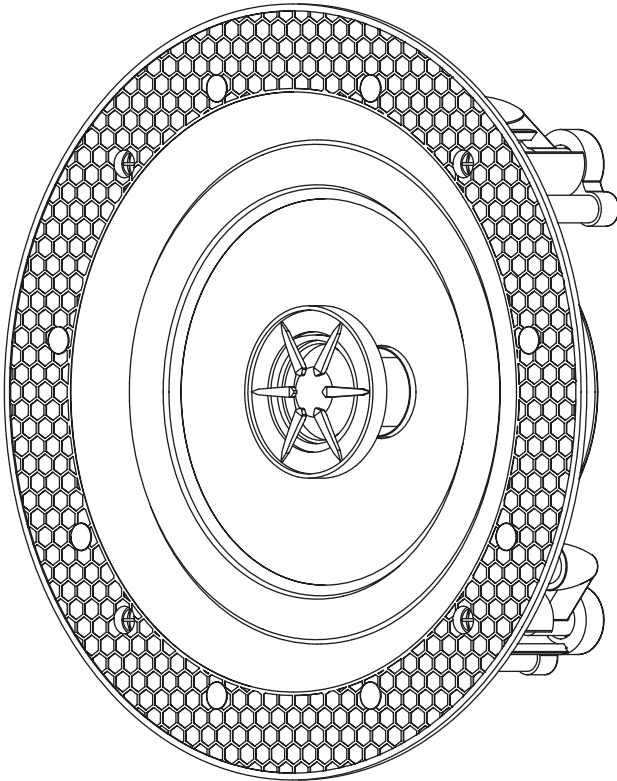


# CS40

## Frameless Ceiling Speaker

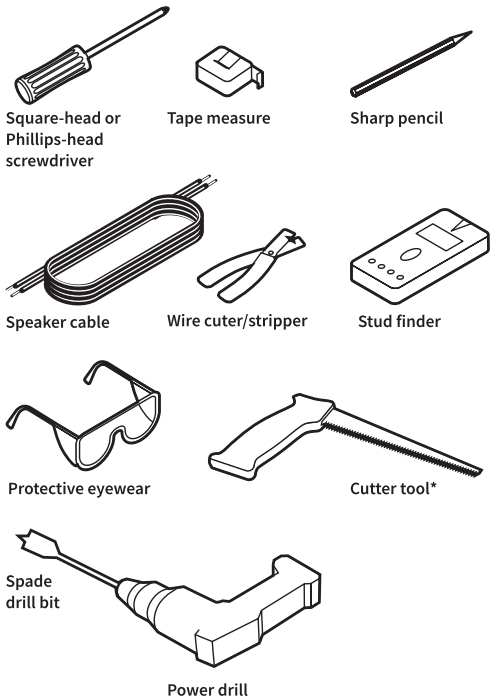
Operation Manual



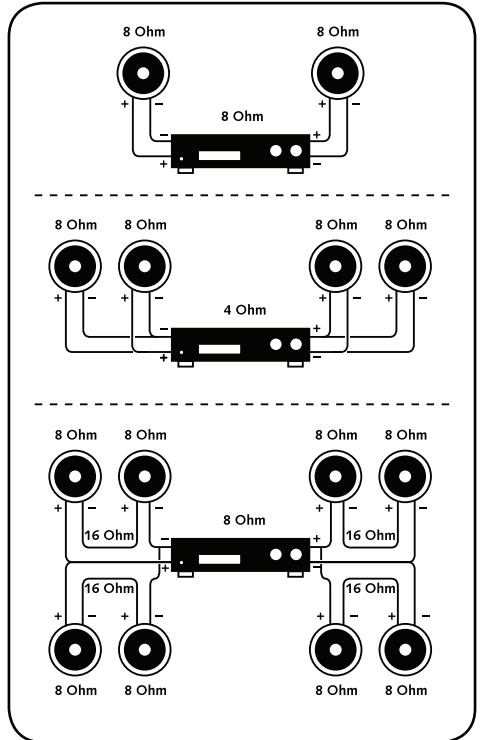
# Before Installing the CS40

## Equipment You Will Need

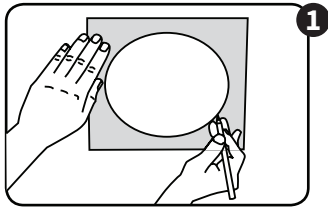
Besides the template that is included, you must have a ladder and the equipment shown below to make the installation go smoothly.



## Wiring Possibilities

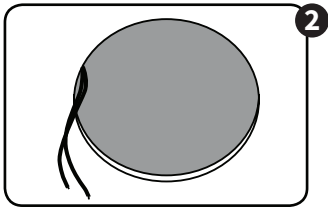


# In-ceiling Installation

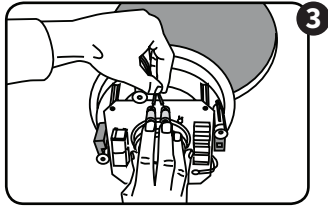


**1** Use the enclosed template to mark the cutout, then simply cut along the line. This is the only cut you'll need to make!

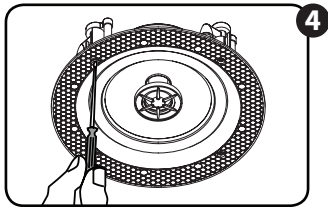
Cut-out dimension: 210(Ø) mm.



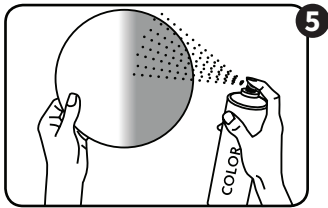
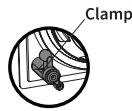
**2** When laying the loudspeaker cable from the amplifier to the installation point, make sure that the cable end extends to 30cm (12") from the ceiling cutout.



**3** Connect the speaker cable to the screw clamps. Ensure that the polarity is correct.



**4** Tighten clamp screws until you can feel the frame press firmly against the wall. This indicates that the clamp is extended and is gripping the wall.



**5** The loudspeaker grille can be coated with regular paint prior to installation. If the grill comes with an additional coating this must be removed before painting.

# CS40

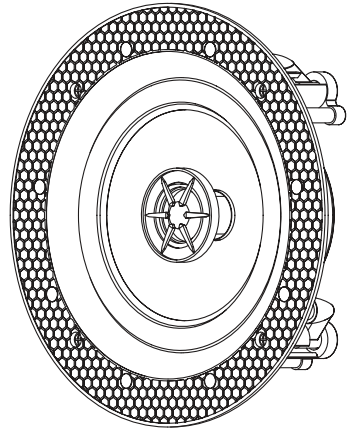
## Frameless Ceiling Speaker



The CS40 is a discrete 40W low impedance Frameless Ceiling Speaker designed to offer greater flexibility in terms of application while accommodating a wide range of music tastes. The frameless design makes it one of the most discrete ceiling speakers able to match most decor.

With a Polypropylene cone and butyl rubber surround the CS40 Music Ceiling Speaker is suited to a wide variety of applications where high quality background or foreground music is required, such as, restaurants, bars, retail, residential or even schools and colleges.

Constructed in metal and utilising a 'dog-leg' installation this product is extremely fast fitting and accessible from the front and with a stylish magnetic front grille.



### Features:

- Frameless, simple, unobtrusive design
- 40W, Low Z (8Ω)
- Fast-fix solution (dog-leg design)
- Simple, unobtrusive design
- 6 inch 2-way coaxial speaker system
- Magnetic front grille
- Metal construction

### Specifications

<b>Nominal Impedance</b>	8Ω
<b>Power (RMS)</b>	40W
<b>Driver</b>	6.5 inch
<b>Driver Material</b>	Polypropylene Cone
<b>Single Tweeter</b>	0.5 inch
<b>Frequency Response (±3db)</b>	70Hz ~ 20kHz
<b>Efficiency</b>	87dB
<b>Colour</b>	White (RAL 9010)
<b>Dimension</b>	227(Ø) x 60(D) mm
<b>Cut-out Size</b>	210(Ø) mm
<b>Weight (Net)</b>	0.74kg
<b>Weight (Gross)</b>	1.05kg